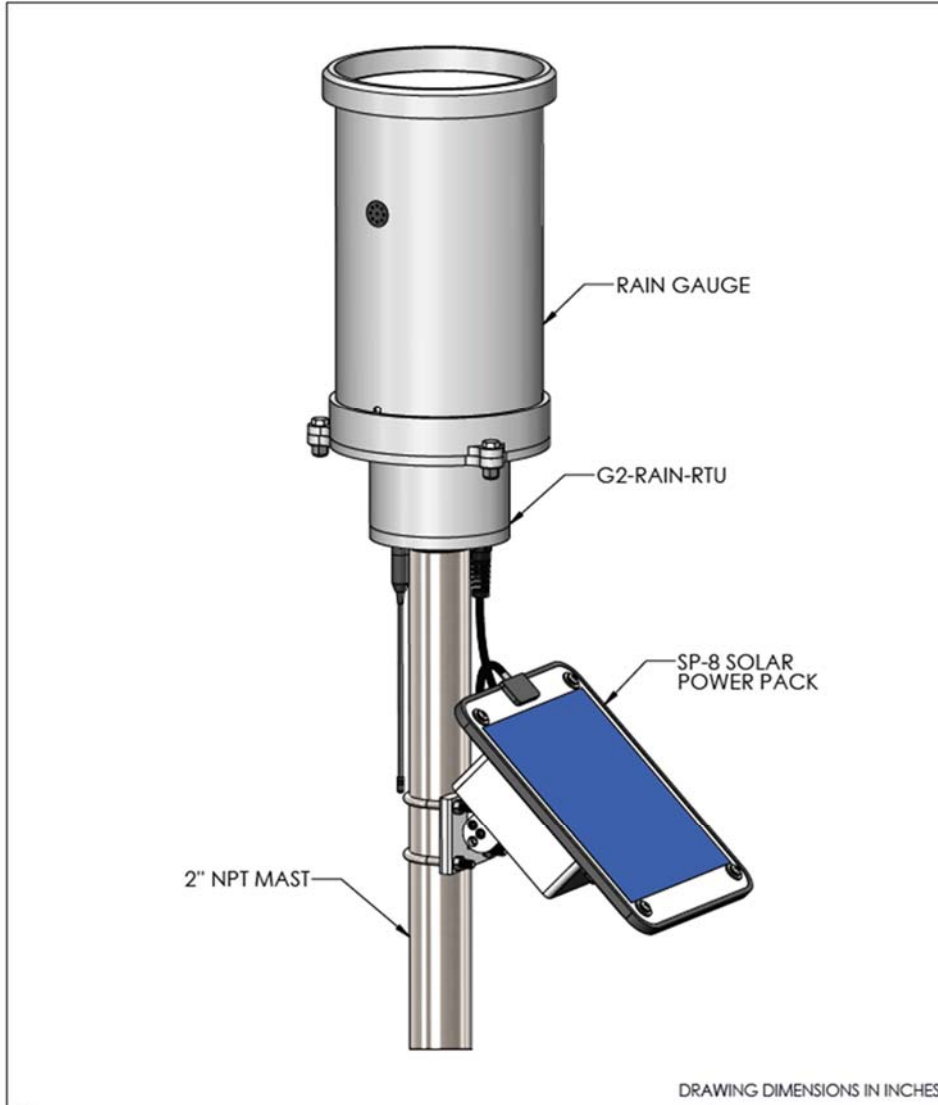



# Proposed University City Rain Gauge in Indian Meadows Park



TITLE: NEXSENS G2-RAIN POLE MOUNT SOLAR SYSTEM		
DRAWING NUMBER: NEX415	SHEET: 4 of 4 This drawing and the information thereon is the property of NexSens Technology All unauthorized use and reproduction is prohibited. <www.NexSens.com>	



Low Profile Pole style proposed for Indian Meadows Park, below:

